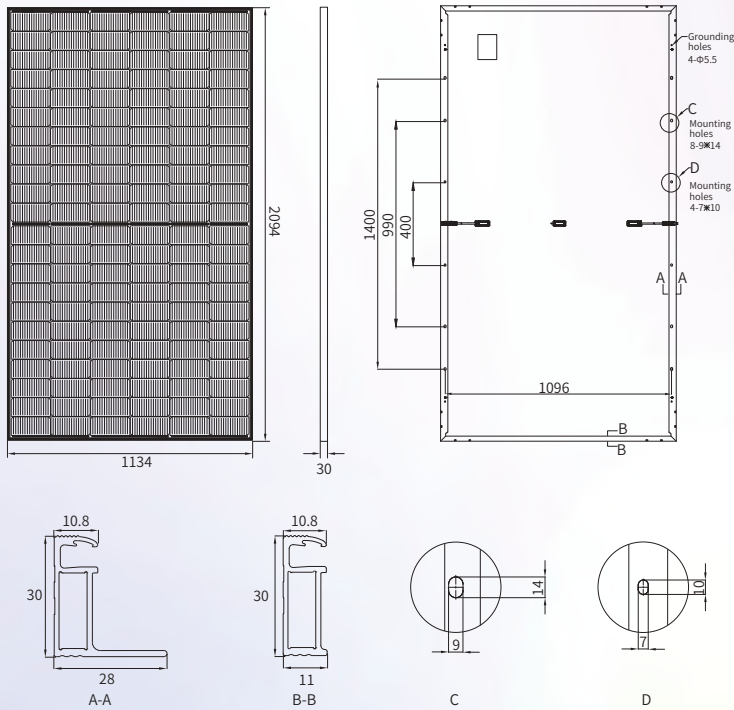


# High efficiency N-TOPCon solar module

## JNMN132-515~535

### ENGINEERING DRAWING



### MECHANICAL PARAMETERS

Cell (mm)	182*91 TOPCon
Dimensions (L*W*H) (mm)	2094*1134*30
Weight (kg)	25.5
Cable Cross Section Size (mm <sup>2</sup> )	4
No. of Cells & Connections	132(6*22)
No. of Diodes	3
Frame	Anodized Aluminium Alloy
Glass Thickness (mm)	3.2

### QUALIFICATION

Temperature Cycling Range (°C)	-40~+85
Max. Series Fuse Rating (A)	25
Max.Wind Load/Max.Snow Load (Pa)	2400/5400
Fire Rating	Class C
Junction Box & Connector Protection Grade	IP68

### TEMPERATURE COEFFICIENTS

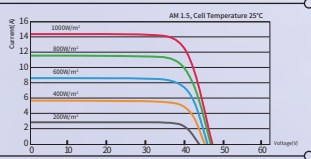
Nominal Module Operating Temperature (NMOT)	43±2°C
Temperature Coefficient Voltage (Voc)	-0.25 %/°C
Temperature Coefficient Current (Isc)	0.045 %/°C
Temperature Coefficient Power (Pm)	-0.29 %/°C

### ELECTRICAL PARAMETERS

Module Type	(1500V DC)	JNMN132-515	JNMN132-520	JNMN132-525	JNMN132-530	JNMN132-535
STC AM1.5 1000W/m <sup>2</sup> Cell Temperature 25°C	Max. Power at STC (Pmpp/W)	515	520	525	530	535
	Output Tolerance (W)	0-+5	0-+5	0-+5	0-+5	0-+5
	Max. Power Voltage (Vmp/V)	38.32	38.49	38.66	38.83	39.00
	Max. Power Current (Imp/A)	13.44	13.51	13.58	13.65	13.72
	Open Circuit Voltage (Voc/V)	46.09	46.25	46.41	46.57	46.73
	Short Circuit Current (Isc/A)	14.06	14.14	14.22	14.30	14.38
	Module Efficiency (%)	21.69	21.90	22.11	22.32	22.53
NMOT AM1.5 800W/m <sup>2</sup> Ambient Temperature 20°C Wind Speed 1m/s	Max. Power (Pmpp/W)	392.9	396.7	400.5	404.3	408.1
	Max. Power Voltage (Vmp/V)	36.54	36.70	36.87	37.03	37.18
	Max. Power Current (Imp/A)	10.75	10.81	10.86	10.92	10.98
	Open Circuit Voltage (Voc/V)	43.80	43.96	44.11	44.26	44.41
	Short Circuit Current (Isc/A)	11.33	11.39	11.46	11.52	11.59

\*Measurement tolerance: Pmax: ±3%, Voc: ±3%, Isc: ±5%.

### I-V CURVE (525W)



### PACKING CONFIGURATION

Pieces Per Pallet	36
Pallets Per Container	22
Pieces Per Container	792

### DEFAULT

### OPTIONAL

Connector Type	<input type="checkbox"/> MC4 Compatible	<input type="checkbox"/> MC4
Cable Length	<input type="checkbox"/> 400mm/300mm	<input type="checkbox"/> Customized
Frame Color	<input type="checkbox"/> Silver	<input type="checkbox"/> Black

TUV: IEC/EN 61215, IEC/EN 61730
   
 GB/T 19001-2016/ ISO 9001:2015
   
 GB/T 24001-2016/ ISO 14001:2015
   
 GB/T 45001-2020/ ISO 45001:2018
   
 CNAS-CL01: ISO/IEC 17025:2017

12-year Product materials and workmanship quality warranty

Output power			
The 1st year	The 12th year	The 30th year	
≥ 99.00%	≥ 94.60%	≥ 87.40%	

CAUTION: The electrical parameters in this product datasheet do not refer to only one module. Read safety and installation instructions before using the product. The contents of this specification are for reference only and are subject to change without notice. Jinery reserves the right of final interpretation. JNM-20230901-12.0R © 2023 JINNING CLEAN ENERGY TECHNOLOGY LTD. ALL RIGHTS RESERVED.

**JINERGY**
  
 JINNING CLEAN ENERGY TECHNOLOGY LTD
   
 JINNING PHOTOVOLTAIC TECHNOLOGY LTD
   
 www.jinery.com